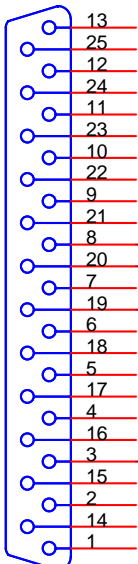


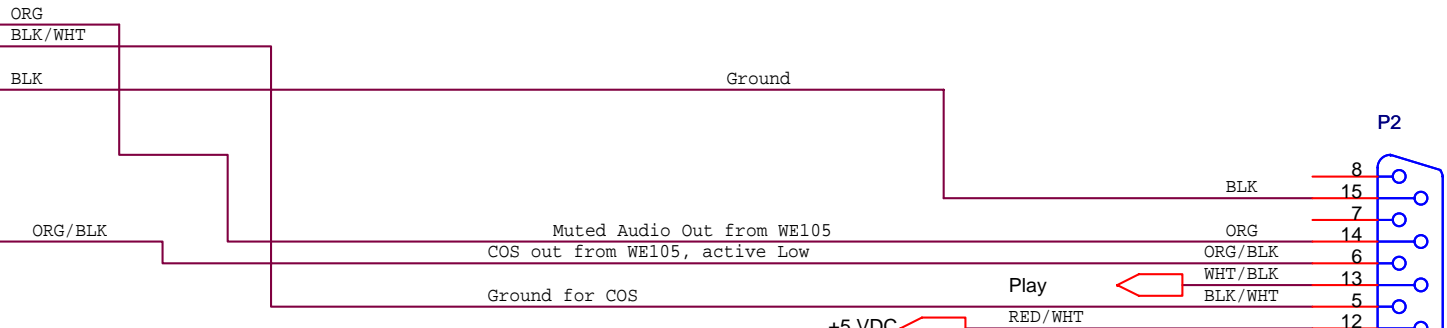
P1



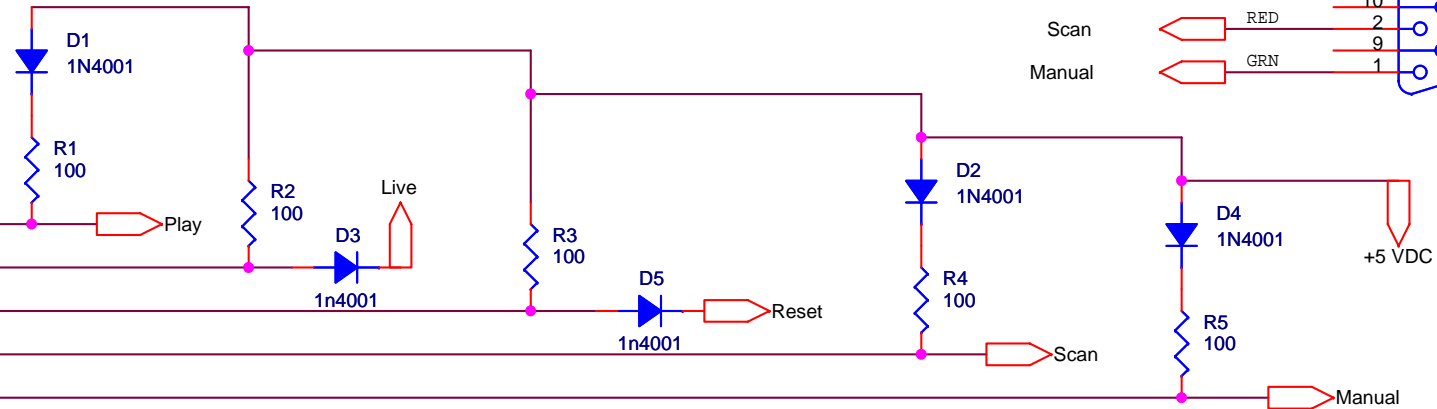
**WE105 menu setting 'A' Enable relay closure on live and play, DISable live on 1050 alert in the WE105. DISable relay closure on 1050 alert in the WE105.

**4-5 Vdc from an external regulated transformer and a connection to the common ground.

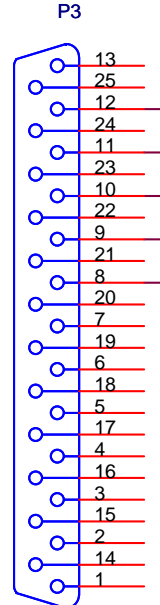
***Need to add audio jumper from J204 (right rear) to J184 (near C90) inside case!



J2-Female on 7K



J3-Male on 7K



In the 7K, logic output ON (output logic to WE105 low) normally. Pulse each 7K logic momentarily LOW to activate each WE105 input (active HIGH).

The logic outputs in the 7K are open collector and need a pull up resistor.

Since the Live and Reset inputs into the WE105 are shared by the AE100 and the 7k, diodes D3 and D5 must be positioned to isolate the AE100 from the 7K output logic. If these diodes are not in place, a logic low on the 7K will prevent the AE100 from sending a logic high signal to the WE105, thereby preventing the WE105 from going live on alerts. With the diodes in place, the WE105 can be activated from manual logic from the 7K, in addition to alert logic from the AE100.

(C) 2005 Thunder Eagle, Inc. All rights reserved worldwide.

Title		
WE105 to 7K Wire Interface		
Size	Document Number	Rev
A	<Doc>	A
Date:	Saturday, April 15, 2006	Sheet 1 of 1